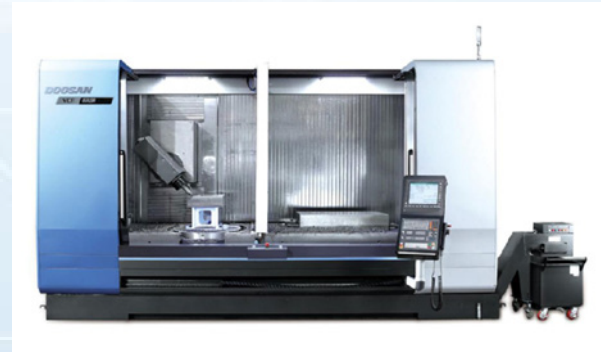


## Plant List

### CNC Bed Mills – 5 Axis & Large Capacity Machining



1 x Doosan VCF850 6 Axis Moving Column Machining Centre. Heidenhain Control. 60 Tool ATC. Machining Capability X.3000mm x Y.850mm x Z.800mm. Renishaw probing.

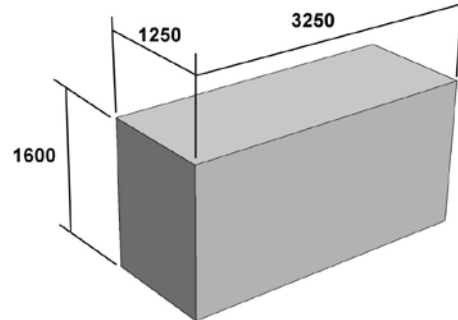
1 x Hedelius T7 1R Magnum 2600 5 Axis Moving Column High Speed Machining Centre. Heidenhain Control. Standby 220 ATC Magazine. Machining Capacity X.2600mm x Y.750mm x Z.700mm Heidenhain Probing.

1 x Hurco VMXSRTi XP 5 Axis High speed machining system with full 5 axis capability. X.1067mm x Y.610mm x Z.560mm. Renishaw Probing.

1 x Kiheung U1000PH Bed Mill. Heidenhain TNC 530i Control with full 4.5 axis capability X.2600mm x Y.1000mm x Z.1350mm (40ATC & Programmable head) Renishaw Probing with on machine verification (OMV) capability.

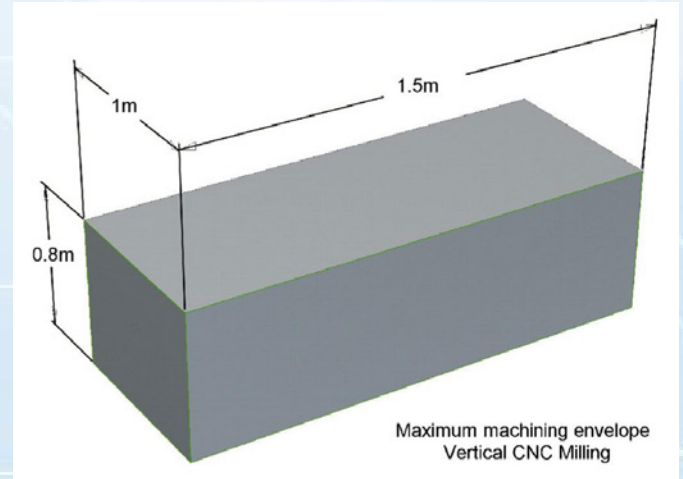
1 x Kiheung U1000PH Bed Mill. Heidenhain TNC 530i Control with full 4.5 axis capability X.3250mm x Y.1250mm x Z.1350mm (24ATC & Programmable head) Renishaw Probing with on machine verification (OMV) capability.

Bed Mill Machining envelope



# Plant List

## Vertical CNC Milling Equipment



### Hard Metal Machining

1 x Dahlih MCV 1450 HM Geared Head / 32 ATC FANUC Oi-M control with full 4 axis capability.

1 x Dahlih MCV 1250 HM Geared Head / 24 ATC FANUC Oi-M control with full 4 axis capability.



### Standard CNC Milling

1 x Hedelius CB70/2100 Moving Column Machining Centre with Heidenhain control. Machining capability X.2100mm x Y.720mm x Z.600mm 30 ATC. Renshaw Probing.

1 x Hurco VMX60i 4 Axis Machining Centre with WINMAX Control. Machining capability X.1524mm x Y.660mm x Z.610mm Renshaw Probing.

1 x Hurco VMX30i 4 Axis Machining Centre with WINMAX Control. Machining capability X.1270mm x Y.508mm x Z.508mm Renshaw Probing.

1 x Dahlih MCV860 / 30 FANUC Oi-MC control with full 4th axis capability. Machining capability X.860mm x Y.550mm x Z.550mm.

## Plant List

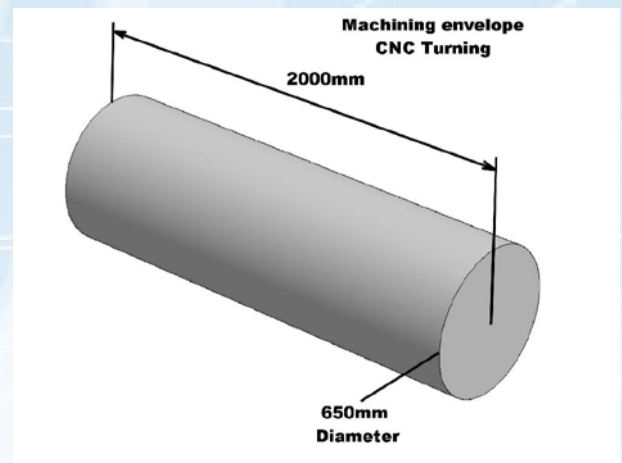
### High Speed Production Milling Cell

1 x Hurco VMX42HSRTi High Speed 5 Axis Machining Centre with WINMAX Control Machining capability X.1067mm x Y.610mm x Z.560mm Renishaw Probing.



1 x Hurco VMX30HSi High Speed 4 Axis Machining Centre with WINMAX Control Machining capability X.762mm x Y.508mm x Z.610mm Renishaw Probing.

### CNC Turning Equipment



- 1 x Doosan Puma 480L 2 axis CNC Lathe. Fancu 32iT control
- 1 x Hardinge GS42 3 axis CNC Lathe. Fancu Oi TD control. Short magazine barfeed.
- 1 x Doosan 390L 2 axis CNC Lathe. Fancu 21sT Control.
- 1 x Doosan S310 2 axis CNC Lathe with Semeca bar feed. Fancu 18OT Control
- 1 x Doosan S310MT 3 axis CNC Lathe with Semeca bar feed. Fancu 18OT Control
- 1 x Colchester 2000L CNC Lathe. Fancu OT control.

# Plant List

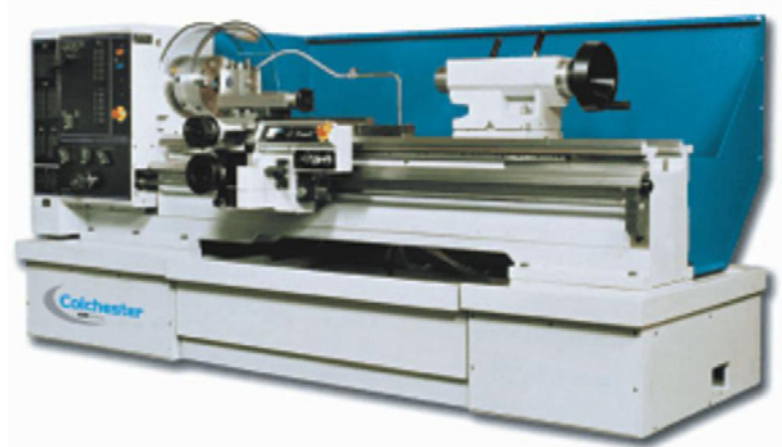
## Semi CNC Machining



- 1 x XYZ SMX 2000 Turret Milling Maching with 3 axis Proto TRAK programming system
- 1 x XYZ SMX2 3000 SLV Turret Milling Machine with 3 axis Proto TRAK programming system
- 1 x XYZ SMX2 3000 SLV Turret Milling Machine with 3 axis Proto TRAK programming system
- 1 x XYZ SMX2 3000 SLV Turret Milling Machine with 3 axis Proto TRAK programming system
- 1 x XYZ PROTURN SLX355 2 axis CNC Lathe with Proto TRAK programming system.

## Plant List

### Manual Machining Department.



- 1 x Colchester 2000 SB VS with 3 axis Heidenhain DRO
- 1 x Feeler HCT Precision capstan Lathe with 2 axis DRO
- 1 x Huron NU4 Mill with 3 axis DRO.
- 1 x Ariston Autofeed Band Saw
- 1 x Deburr & Surface preparation dept.
- 1 x Kerry Ultrasonic Cleaning / Degreasing System.

## Plant List

### Laser Marking

JK 20W Fibre Laser Marking Machine.



### Inspection Department.

1 x Eley Metrology Hi Res Truth Coordinate measuring machine. Fully programmable. PH10T Renishaw head. 1500 x 830 x 650mm

1 x Eley Metrology Millennium Coordinate measuring machine. Fully programmable, PH10M Renishaw head. 700 x 600 x 500mm

1 x Baty R400 GXL-E Digital profile projector, edge sensor & digital read out

1 x Nikon V12 Projector with Digital read out

1 x TESA Micro-Hite 900 (With 2D Panel)

1 x TESA Micro-Hite 350 (With 2D Panel)

1 x Various precision granite surface tables

Various bore micrometers, external micrometers, slip gauges & general inspection equipment

All equipment is calibrated in accordance with BS EN 9100 approved Quality Management System

